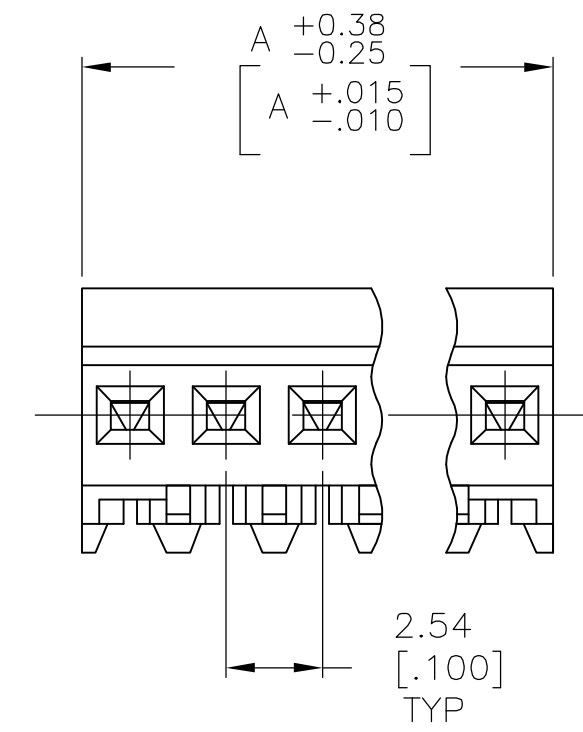
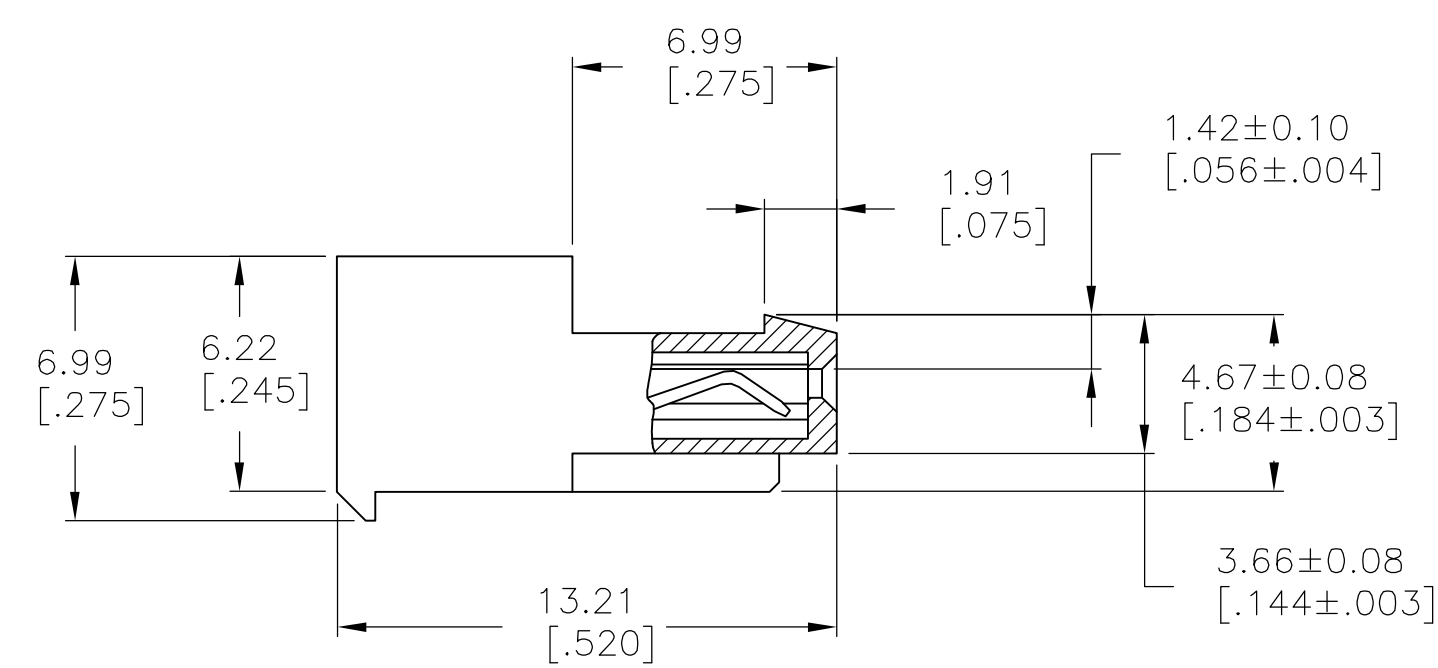
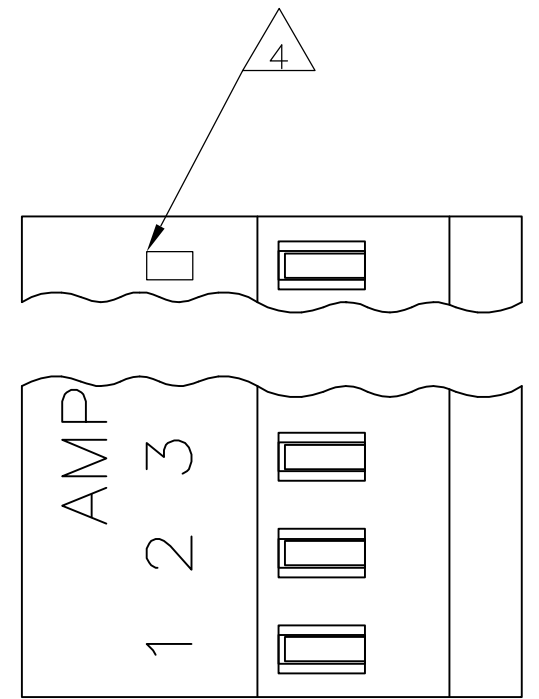


THIS DRAWING IS UNPUBLISHED. RELEASED FOR PUBLICATION
 © COPYRIGHT BY TYCO ELECTRONICS CORPORATION. ALL RIGHTS RESERVED.

LOC	DIST	REVISIONS					
CM	00	P	LTR	DESCRIPTION	DATE	DWN	APVD
		P		REVISED PER ECO-07-003723	22FEB07	KW	DB



12.70 [.500]	5	3-641536-5
7.62 [.300]	3	3-641536-3
5.08 [.200]	2	3-641536-2

1 MATERIAL: CONNECTOR-NYLON UL94V-2 (BLUE).
 CONTACTS-0.30 [.012] THICK COPPER ALLOY
 BRIGHT TIN-LEAD 0.00203 [.000080] MINIMUM THICK FOR CONTACTS
 641536-2 THRU 1-641536-0,
 MATTE WHISKER MITIGATED TIN PLATE 0.00203 [.000080] MINIMUM THICK OVER
 NICKEL UNDERPLATE FOR CONTACTS 3-641536-2 THRU 4-641536-0.

- CONTACTS ACCEPT 26 AWG WIRE WITH 1.52 [.060] MAX INSULATION DIAMETER.
- CONTACTS MUST ACCEPT 0.36-0.51 [.014-.020] SQUARE OR ROUND POST AND REMAIN LOCKED IN POSITION.
- IDENTIFICATION NUMBER FOR LAST CIRCUIT MAY NOT APPEAR ON ALL ASSEMBLIES.
- DIMENSIONS IN BRACKETS ARE IN INCHES.
- HOUSING FEATURES ARE: CLOSED END WITH LOCKING RAMP & LED CONTACT.

12.70 [.500]	5	641536-5
7.62 [.300]	3	641536-3
5.08 [.200]	2	641536-2
DIM A	NO. OF CIRCUITS	PART NO.

METRIC

THIS DRAWING IS A CONTROLLED DOCUMENT.		DWN S. CARPENTER 08AUG2003	tyco Tyco Electronics Corporation Harrisburg, Pa 17105-3608	
DIMENSIONS: mm [INCHES]		CHK S. CARPENTER 08AUG2003	NAME MTA-100 CONNECTOR ASSEMBLY, 26 AWG, FOR .014 TO .020 POST, SPECIAL	
TOLERANCES UNLESS OTHERWISE SPECIFIED: 0 PLC ± - 1 PLC ± - 2 PLC ± - 3 PLC ± - 4 PLC ± - ANGLES ± -		APVD S. CARPENTER 08AUG2003	PRODUCT SPEC 108-1050	
MATERIAL 1		APPLICATION SPEC 114-1019	SIZE A2	CAGE CODE 00779
FINISH 1		WEIGHT -	DRAWING NO C=641536	RESTRICTED TO -
CUSTOMER DRAWING			SCALE 5:1	SHEET 1 OF 1
			REV P	

641536